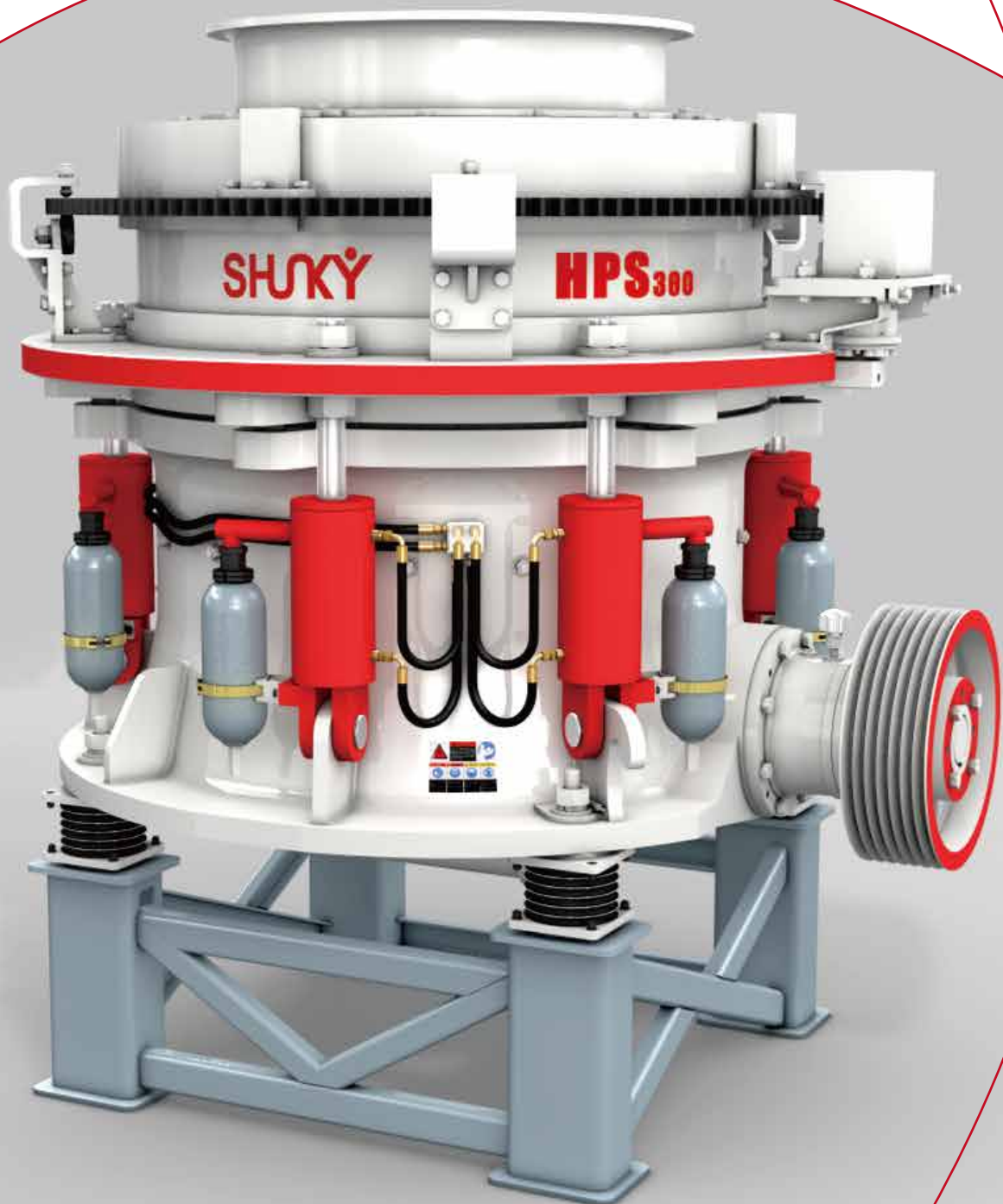


SHUKY

HPS 系列多缸液压圆锥式破碎机

HPS Multi-Cylinder Hydraulic Cone Crusher



01 产品简介

Brief Introduction



HPS系列多缸液压圆锥式破碎机主要用于砂石加工中的二级破碎或三级破碎环节。该机在破碎硬度较大的物料以及细碎方面具有独特优势，从而广泛地应用于河卵石、花岗岩、玄武岩等中硬物料的破碎。

HPS系列多缸液压圆锥式破碎机是上海山启在多年的破碎机研发经验基础上，结合国内外先进技术，经过几代产品的研发和应用，推出的新一代高效液压圆锥式破碎机。在传统多缸液压圆锥式破碎机主轴固定、偏心套绕主轴旋转结构和层压破碎原理的基础上，对设备结构进行了突破性的优化，显著提升了设备的使用性能和破碎能力。专业设计的液压润滑系统，保证设备可靠运转的同时，操作控制更智能、人性化。

HPS series multi-cylinder hydraulic cone crusher is generally used for secondary or third crushing in sand and gravel processing. Due to its unique advantages in crushing the hard material and fine crushing, HPS multi-cylinder hydraulic cone crusher is applied widely in crushing river gravel, granite, basalt and other materials of medium hardness.

HPS series multi-cylinder hydraulic cone crusher is an efficient hydraulic cone crusher new generation of Shanghai Shunqi based on many years' experience on research and development, combined advanced technology of home and abroad and several generations' research and application. It implemented breakthrough optimization on the equipment structure based on fixed main shaft, the rotation of eccentric sleeve around the main shaft and laminated crushing principle of traditional multi-cylinder hydraulic cone crusher, meanwhile the performance and crushing capacity are improved. Professionally designed hydraulic lubrication system ensures reliable operation as well as smarter and more humanized control.

02 性能特点 Features

1. 结构升级 效率更高

设备在主轴固定、偏心套绕主轴旋转的结构基础上，进一步优化了传动部件和润滑密封结构设计。设备承载能力强，装机功率达到同机型行业内最大，体积小、效率高、噪音低。

1. Upgraded structure and high efficiency.

Transmission parts and the structure of lubrication seal are optimized further based on the structure of fixed main shaft and eccentric shaft rotates around main shaft. This machine has the features of stronger loading capacity, the biggest installed power in the same model of this industry, smaller size, higher efficiency, lower noise.

2. 处理量大

破碎冲程、破碎速度以及破碎腔型的完美组合设计，比传统圆锥式破碎机的产量提高35%-60%。

2. High handling capacity.

The perfect combination of crushing stroke, crushing speed and crushing chamber makes the capacity increase by 35%-60% than traditional spring cone crusher in production.

3. 层压破碎 出料粒形好

利用层压破碎原理对物料进行破碎，通过对设备和腔型优化，提高了层压破碎效率，破碎效率高，易损件磨耗低，成品粒型呈立方体，细粒级含量高。提升成品质量，降低设备和整个系统的生产成本。

3. Laminated crushing brings good product shape.

The materials are crushed under the adoption of unique laminated crushing principle, and the efficiency is higher because of the optimized equipment and cavity. Meanwhile high crushing efficiency brings lower consumption of wearing part, cubic finished product shape and high content fine-grained product, which improves the quality of finished product and decreases the cost of equipment and whole system.

4. 全液压操控 准确可靠

设备从清腔、过载保护到调整及锁紧，全部采用液压操作。工作稳定可靠，操作方便。液压系统结构全面优化升级，调节控制更准确，自动保护反应更灵敏。

4. Accurate and reliable full hydraulic operation.

Full hydraulic operation is applied on cleaning cavity, overload protection, adjustment and locking. It works stably and reliably and operates conveniently. Meanwhile the structure of hydraulic system is optimized fully, the adjustment and control are more accurate, the responding of automatic protection is more sensible.

5. 破碎比高

HPS系列多缸液压圆锥式破碎机在物料硬度较大，成品粒度要求较小的情况下，具有破碎比高的显著优势。（破碎比曲线图）

5. High crushing ratio.

HPS series multi-cylinder hydraulic cone crusher has unique advantage under the condition of harder materials and smaller size of finished product.(Crushing ratio graph)

6. 多腔型转换 一机多用

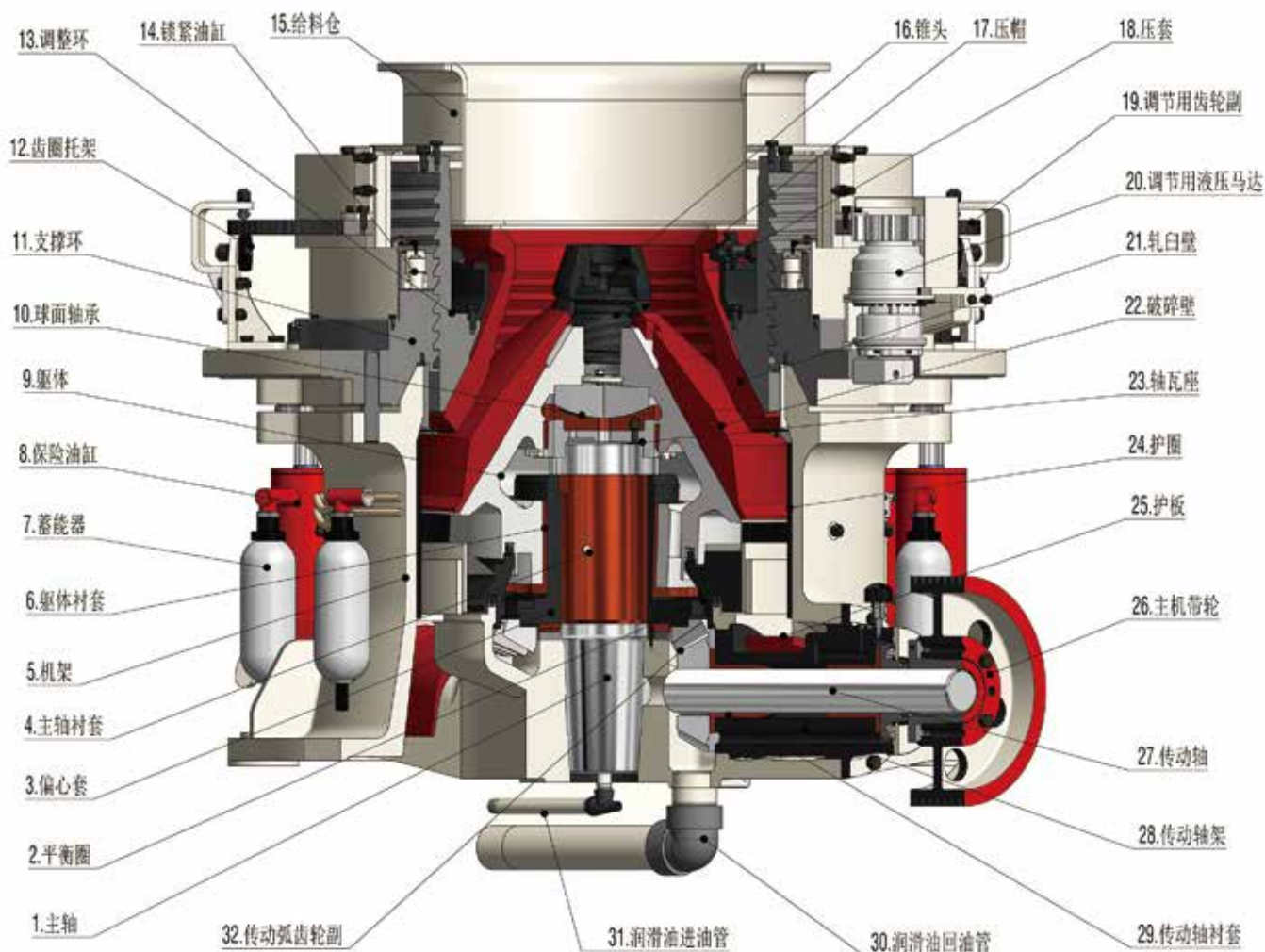
配置了多个中碎和细碎腔型，仅需更换相应腔型衬板等少量零件，便可在腔型之间转换。结合层压破碎原理，更好的满足中碎和细碎工艺需求，实现了一机多用。

6. Convertible multi-cavity&multiple functions.

HPS series multi-cylinder hydraulic cone crusher has several medium crushing and fine crushing cavities, which can be only with changing relevant several parts as cavity lining plate, etc. It meets the process requirements of medium crushing and fine crushing better with combining the laminated crushing principle, realizing multiple functions.

03 产品结构

Internal Structure



- | | | |
|-------------------------|--|---|
| 1. Main Shaft | 12. Ring Gear Bracket | 23. Bearing Seat |
| 2. Balance Ring | 13. Adjustment Ring | 24. Protecting Ring |
| 3. Eccentric Bushing | 14. Locking Oil Cylinder | 25. Protecting Plate |
| 4. Main Shaft Bushing | 15. Feeding Hopper | 26. Pulley Wheel |
| 5. Bracket | 16. Cone Head | 27. Transmission Shaft |
| 6. Driving Part Bushing | 17. Pressing Cap | 28. Transmission Shaft Frame |
| 7. Accumulator | 18. Pressing Sleeve | 29. Countershaft Bushing |
| 8. Hydraulic Cylinder | 19. Regulating Gear Pair | 30. Oil Outlet Pipe |
| 9. Driving Part | 20. Hydraulic Slave Motor For Regulation | 31. Oil Inlet Pipe |
| 10. Spherical Bearing | 21. Bowl Liner | 32. Transmission Spiral Bevel Gear Pair |
| 11. Support Ring | 22. Mantle | |

04 工作原理

Working Principle

HPS系列多缸液压圆锥式破碎机工作时，电机通过皮带轮和三角带带动设备传动轴转动，传动轴通过伞状锥齿轮啮合带动偏心套绕主轴转动，偏心套驱动动锥部位做旋摆运动，连续不断地对物料进行挤压、搓碾。物料受到多个方向的作用力，沿着自身纹理破碎并被打磨，形成抗压强度较高的建筑骨料，符合出料要求的从破碎壁旋摆间隙处排出，其余物料继续破碎，直至达到最终要求。

The whole working process of HPS series multi-cylinder hydraulic cone crusher is that motor drives the rotation of transmission shaft by belt pulley and v-belts, transmission shaft drives the rotation of eccentric sleeve around the main shaft through the spiral bevel gear, breaking the materials continuously. The material is crushed from all directions, crushed and ground according to their own grain, which formed the high compressive strength building aggregates. The materials that meet the requirements discharged from the cranking gap of mantle, and the remaining material continues to be crushed until it becomes standard product.



05 技术参数

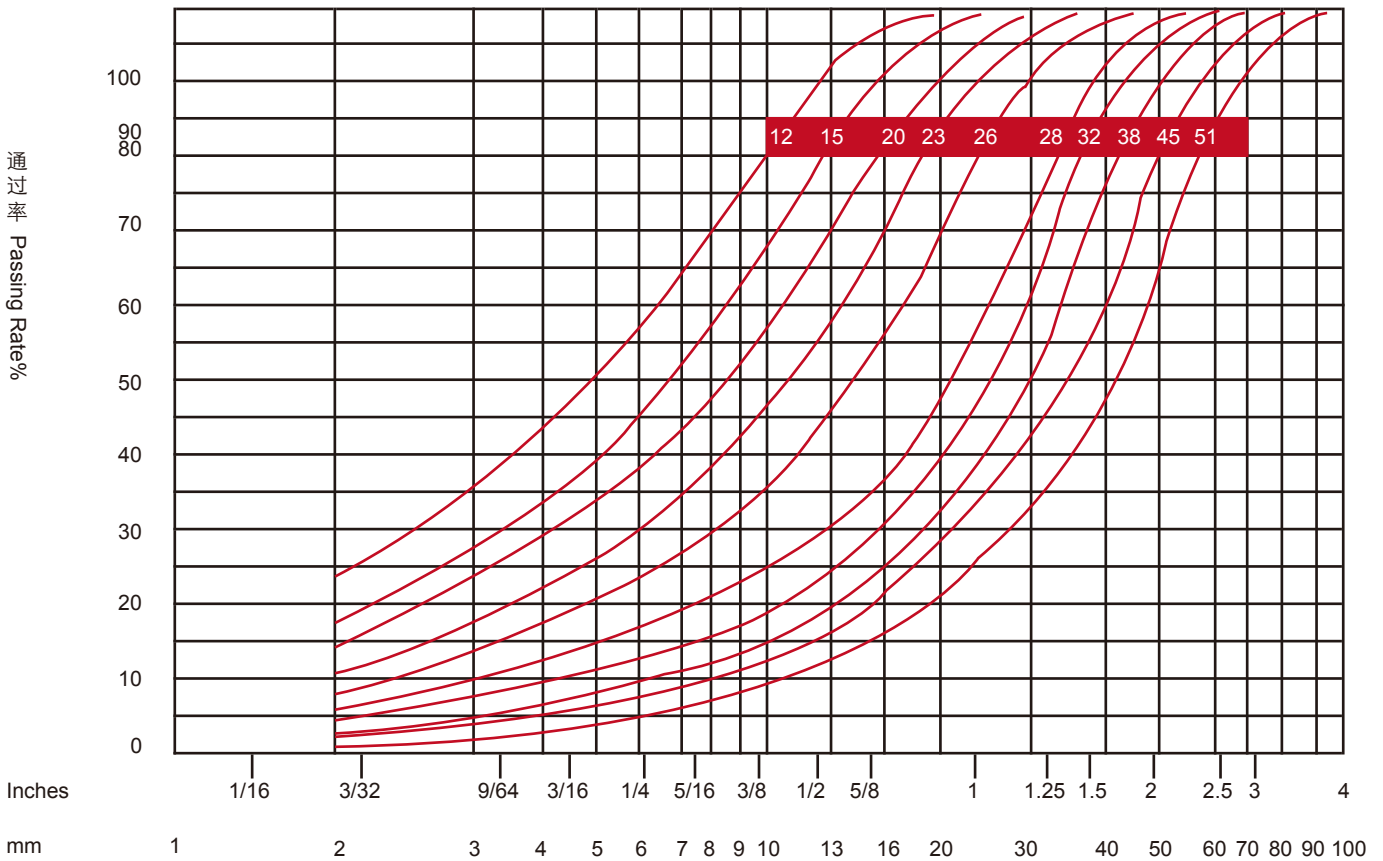
Technical Parameters

型号 Model	破碎腔型 Cavity Type	标准型 Standard Type		短头型 Short Type		功率 Power(kw)	生产能力 Capacity(t/h)
		给料口尺寸 Feed Size(mm)	最小排料口 Min Discharging Size(mm)	给料口尺寸 Feed Size(mm)	最小排料口 Min Discharging Size(mm)		
HPS200	超粗 Extra Coarse					132-200	90-250
	粗型 Coarse	185	19	76	10		
	中型 Medium	125	17	54	6		
	细型 Fine	95	13	23	6		
	超细 Extra Fine			10	5		
HPS300	超粗 Extra Coarse	230	25			180-250	115-440
	粗型 Coarse	210	20	75	10		
	中型 Medium	150	15	50	8		
	细型 Fine	105	10	20	6		
	超细 Extra Fine			20	6		
HPS400	超粗 Extra Coarse	295	30			280-355	140-630
	粗型 Coarse	250	25	90	10		
	中型 Medium	195	20	50	8		
	细型 Fine	110	14	40	6		
	超细 Extra Fine			30	6		
HPS500	超粗 Extra Coarse	330	30			355-450	175-790
	粗型 Coarse	285	25	90	13		
	中型 Medium	200	20	55	10		
	细型 Fine	133	16	40	8		
	超细 Extra Fine			35	6		
HPS800	超粗 Extra Coarse	353	32			550-630	260-1200
	粗型 Coarse	297	32	155	13		
	中型 Medium	267	25	92	10		
	细型 Fine	219	16	33	6		
	超细 Extra Fine						

闭口边排料口 (mm) Discharge Opening											
型号 Type	吨/小时	10mm	13mm	16mm	19mm	22mm	25mm	32mm	38mm	45mm	51mm
HPS200	t/h	90-120	120-150	140-180	150-190	160-200	170-220	190-235	210-250		
HPS300	t/h	115-140	130-185	180-220	200-240	220-260	230-280	250-320	300-380	350-440	
HPS400	t/h	140-175	185-230	225-280	255-320	275-345	295-370	325-430	360-490	410-560	465-630
HPS500	t/h	175-220	230-290	280-350	320-400	345-430	365-455	405-535	445-605	510-700	580-790
HPS800	t/h	260-335	325-425	385-500	435-545	470-600	495-730	545-800	600-950	690-1050	785-1200

06 粒度分布曲线

Particle Size Distribution Curve



- 曲线上的数字为排料口尺寸。 The digital on the curve is the size of discharge gete
- 粒度和生产能力与给料粒度、破碎腔型、物料可碎性、物料洁净度、水分含量等因素有关。 The particle size and capacity are related to feeding particle size, crusher cavity type, material frangibility, cleanliness, moisture content, etc...

地址：上海市浦东新区金海路1000号

电话：021-66039988

传真：021-66030508

邮编：201206

网址：www.shunky.com www.shunky.cn

Email：Service@shunky.com



注：本手册内容如有变更恕不另行通知。

