



SHUNKY

上海山启机械制造有限公司
Shanghai Shunky Machinery Manufacturing Co., Ltd

PY系列圆锥破碎机

PY series Cone Crusher

[上海山启机械制造有限公司]

[电话: 021-66039988]

[Shanghai Shunky Machinery Co.,Ltd]

[TEL: 0086-21-66030377]

Brief Introduction

产品简介



PY 系列弹簧圆锥破碎机是最早的一种圆锥破碎机，该机是在消化吸收了 80 年代国际先进水平的圆锥破碎机的基础上研制而成。主要用来做二级破碎或三级破碎。该机弹簧保险系统为过载保护装置；密封形式为干油或水；根据矿石用途来选择破碎腔型，分别为标准型、中型和短头型。

PY series spring cone crusher is the first cone crusher, which is based on absorbing the internationally advanced technique; It has been used in the secondary and tertiary crushing. The spring insurance system is the overload protection device; The sealed form is dry oil or water; According to the crushed ore use, it is divided into three types: the standard type; the medium type and the short head type.

Product Application

产品用途

PY 系列圆锥破碎机主要适用于破碎中等硬度及以上矿石与岩石，如铁矿石、铜矿石、石灰石、石英、花岗岩、玄武岩、辉绿岩等。广泛应用于冶金工业、建筑工业、筑路工业、化学工业及磷酸盐工业等。

The PY series cone crusher has been developed to crush high or medium hardness material ,such as iron ore,copper ore, limestone, quartz, granite, basalt, and diabase, ect. It is used in metallurgical, construction, road building, chemical, silicate industries.

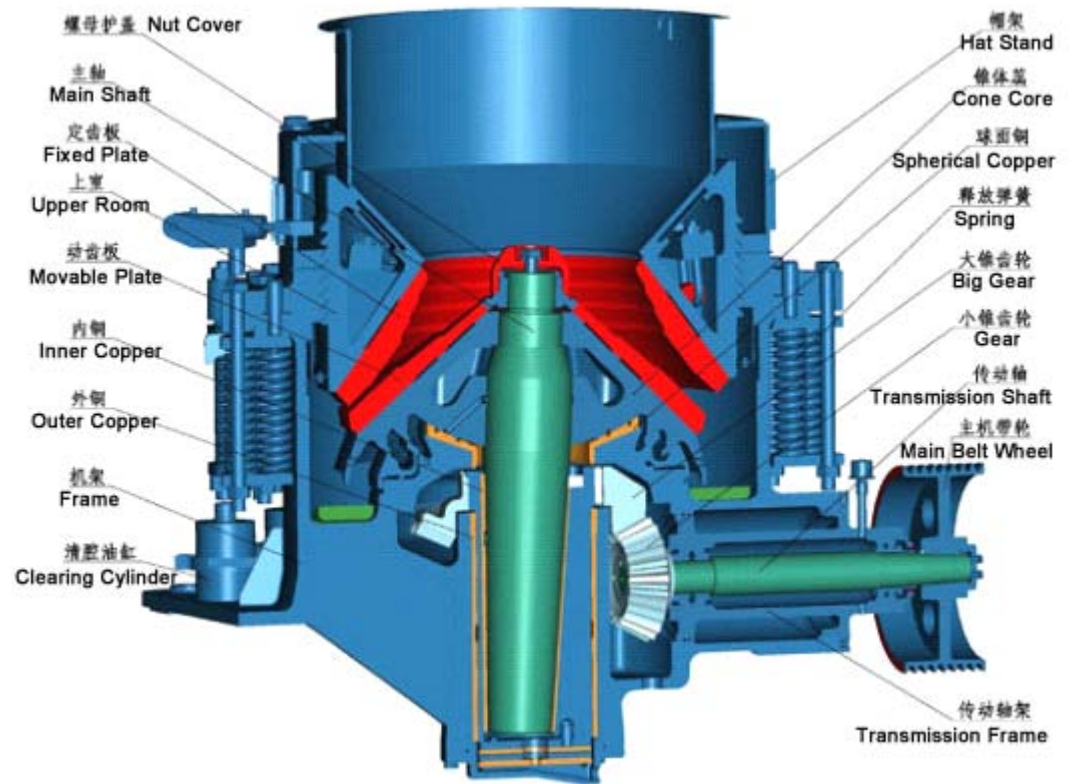


Structure

产品结构

PY 弹簧圆锥破碎机，主要由机架、定锥总成、动锥总成、弹簧机构、碗型轴架部以及传动等部分组成。其辅助部分，由电气系统、稀油润滑系统、以及液压清腔系统组成。

定锥总成主要有调整套、轧臼壁等组成，动锥总成主要由主轴、动锥体、破碎壁等组成，传动部分主要由大带轮、传动轴、小锥齿轮、大锥齿轮等组成。PY series cone crusher mainly consists of frame, fixed cone assembly, movable cone assembly, spring organization, bowl liner and transmission parts. The accessory devices are electrical system and thin oil lubrication system and hydraulic cleaning chamber system. As shown in the following figure, the fixed cone assembly consists of adjustment bush, rolling mortar wall etc. The movable cone assembly consists of main shaft, movable cone and crushing wall etc. Transmission consists of big belt wheel, transmission shaft, small gear, big gear etc.



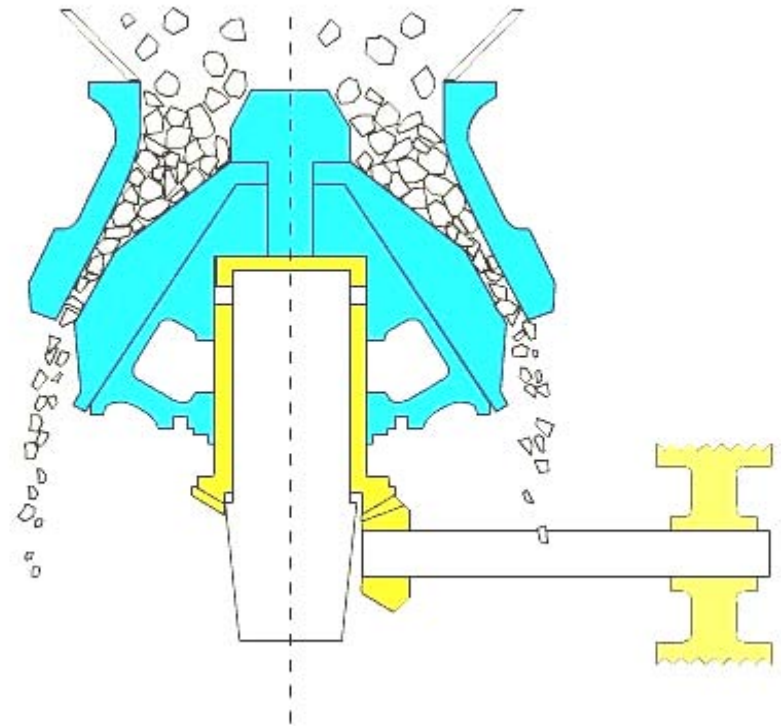
Working principle

工作原理

弹簧圆锥破碎机的工作部分是两个截头为圆锥体分别为定锥和动锥。在动锥靠拢定锥的区段，该处物料受到动锥的挤压、撞击和弯曲作用，成为破碎腔；在动锥偏离定锥的地方，已被破碎的物料在自重作用下从锥底卸出，成为卸料口，物料从进料口装入。

弹簧圆锥破碎机工作时，电动机通过水平轴和一对伞齿轮带动偏心轴套旋转，破碎圆锥轴心线在偏心轴套的迫动下做旋摆运动，使得破碎壁表面时而靠近又时而离开轧白壁的表面，从而使矿石在破碎腔内不断地受到挤压和弯曲而被破碎。

The working portions of spring cone crusher are cones, the fixed cone and movable cone. In the area of the movable cone moving close to the fixed cone, the ores will be squeezed, knocked and crooked, this area is the crushing chamber; when the movable cone deviate from the fixed cone, the crushed material will discharge, this is the discharging port. During operation, the motor drives the eccentric shaft shell to turn around through a horizontal axle and a pair of bevel gear. The axle of crushing cone swings with the force of eccentric shaft shell so that the surface of the crushing wall is close to the roll mortar wall from time to time. In this way, the ores and rocks will be pressed and crooked and crushed.



Product Feature

产品特性

1. 生产效率高 成品粒型好

动锥连续转动，物料的破碎过程和卸料过程沿工作表面交替连续进行，生产率高；动锥与定锥之间有一段间隙相等的平行带，使成品料度均匀，最终产品中，立方体所占比例高。

1. High efficiency and fine cubic shape

The movable cone operates conveniently, the crushing and discharging process works alternately and continuously; there is a parallel gap between the movable and fixed cone, which makes the final product fine cubic shape.

2. 破碎腔型多样化

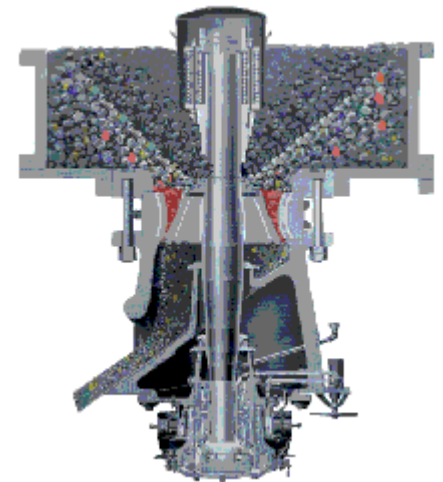
破碎腔型可根据矿石的用途进行选择，主要分为标准型、中型、短头型；其中标准型主要适用于中碎，中型适用于细碎，短头型适用于超细碎。

2. Diversity crushing chamber types

Type of the crushing chamber is decided by the application of the ores. Standard type is for PYB (secondary crush); middle type is for PYZ (tertiary crush); short-head type is for PYD (Ultra fine crush).

3. 密封方式特殊 运转可靠

PY 系列圆锥破碎机采用干油或者水两种密封方式，使灰尘杂质无法进入机体内，从而保证了润滑油的清洁，延长了滑动轴承、推力球轴承的使用寿命，使得机器运转可靠。



3.Special sealed form and reliable operation

PY series cone crusher adopts the dry oil or water as the sealed form, which makes the dust be out of the main unit. It ensures the clearance of the lubrication oil, which extend the lifespan of sliding bearing and thrust ball bearing. Therefore, the machine operates reliably.



4.过载保护 维修简便

弹簧保险系统是过载保护装置，可使金属异

物通过破碎腔而不危害机器；同时，机器拆卸方便，便于维修，极大减少了停机维修时间，降低了维护成本。

4.Overload protection and easy maintenance. The spring release system of crusher acts an overload protection system that allows tramp to pass through the crushing chamber without damage to the crusher. Meanwhile, the machine is convenient disassembly, which reduces much maintenance time and the cost.

5.结构简单 能耗较低

本机主要由机架、传动、空偏心轴、碗形轴承、破碎圆锥、调整装置、调整套、弹簧等部分组成；并且由于物料夹在

两锥体之间，受到挤压、弯曲、碾碎作用，破碎较容易，动力消耗较低；产品粒度均匀，动锥工作表面的磨损也均匀，损耗也较低。

5.Easy structure and low energy consumption

The cone crusher consists of body frame, transmission shaft, eccentric sleeve, cone bearing, breaking cone, supporting sleeve, adjusting sleeve, feeding part, spring, and elastic coupling, lubrication part, electric part, ect. Cone crusher crushes by the change of the gap in the crushing cavity .The gap is opened and closed by the gyration of main shaft, which makes the stone be pressed, crooked and crushed. The crushing job is easy and the energy consumption is low. The final product is fine cubic and the working surface wear of movable cone is evenly. Therefore, the loss is low.



Technical Data

技术参数

型号 Model	破碎头底部直径 (mm)The diameter of crushing head bottom (mm)	最大进料料度 (mm)Max. Feeding size (mm)	出料调整范围 (mm)Adjusting range(mm)	破碎产量 (t/h)Capacity (t/h)	电机功率 (KW)Power (KW)	偏心轴转速 (r/min)	重量 (t)Weight (t)	外形尺寸 (mm)Overall dimension (mm)
PYB600	600	75	12-25	40	30	356	5	2234×1370×1675
PYZ600	600	35	3-13	5-23	30	356	5.3	2234×1370×1675
PYB900	900	115	15-50	50-90	55	333	11.2	2692×1640×2350
PYZ900	900	60	5-20	20-65	55	333	11.2	2692×1640×2350
PYD900	900	50	3-13	15-50	55	333	11.3	2692×1640×2350
PYB1200	1200	145	20-50	110-168	110	300	24.7	2790×1878×2844

PYZ1200	1200	100	8-25	42-135	110	300	25	2790×1878×2844
PYD1200	1200	50	3-15	18-105	110	300	25.3	2790×1878×2844
PYB1750	1750	215	25-50	280-480	160	245	50.3	3910×2894×3809
PYZ1750	1750	185	10-30	115-320	160	245	50.3	3910×2894×3809
PYD1750	1750	85	5-13	75-230	160	245	50.2	3910×2894×3809
PYB2200	2200	300	30-60	490-750	260-280	220	80	4622×3302×4470
PYZ2200	2200	230	10-30	200-580	260-280	220	80	4622×3302×4470
PYD2200	2200	100	5-15	120-340	260-280	220	81.4	4622×3302×4470

Product Pictures

产品图片



ABOUT US

企业介绍



上海山启机械制造有限公司是中国知名的破碎筛分设备制造商。我们为客户提供全系列破碎筛分设备，包括圆锥破碎机颚式破碎机、反击式破碎机、立轴冲击破碎机(制砂机)、移动式破碎站和振动筛，我们不仅为客户提供高性价比的产品，还提供一流的服务支持及解决方案。我们的破碎设备在大量的基础建设工程中得到应用，另外,成套设备已出口到俄罗斯、蒙古、中亚、非洲等国家和地区。

公司拥有多名国内破碎筛分的专家，具有强大的新产品研发能力。公司非常重视国际技术交流与合作，先后引进了美国、德国、澳大利亚等国家的先进技术和工艺，拥有生产设备百余台套。时刻关注新产品、新技术的研发，并成立了砂石机器和选矿设备的研究室。

Shanghai Shunky Machinery Co. Ltd is a famous manufacturer of crushing and screening equipments in China. We provide our customers complete crushing plant, including cone crusher, jaw crusher, impact crusher, VSI sand making machine, mobile crusher and vibrating screen. What we provide is not just the high value-added products, but also the first class service team and problems solution suggestions. Our crushers are widely used in the fundamental construction projects. The complete crushing plants are exported to Russia, Mongolia, middle Asia, Africa and other regions around the world.

We have many crusher experts who are capable of new products searching and developing. We pay high attention on the international communication and cooperation and introduced advanced technology from Germany, America and Australia these years. We also have built research room in our company.



主楼



厂房

Product Express

产品直通车

破碎设备

Crushing Machines

[SKJ 欧版颚式破碎机](#) [SKJ Series Jaw Crusher](#)

[VSI 系列新型制砂机](#) [VSI Sand Making Machine](#)

[颚式破碎机](#) [Jaw Crusher](#)

[反击式破碎机](#) [Impact Crusher](#)

[单缸液压圆锥破碎机](#) [Single Cylinder Hydraulic Cone Crusher](#)

[PSG 圆锥式破碎机](#) [PSG Cone Crusher](#)

[JCE 欧版颚式破碎机](#) [JCE Jaw Crusher](#)

[锤式破碎机](#) [Hammer Crusher](#)

工业磨粉设备

Industrial Grinding Mill

[高压悬辊磨粉机](#) [High-pressure Suspension Mill](#)

[三环超细磨粉机](#) [Three-rings Ultra-fine Mill](#)

筛分洗选设备

Screening and Washing Machines

[XSD 系列洗砂机](#) [Sand Washing Machine](#)

[圆振筛](#) [Circular Vibrating Screening](#)

选矿设备

Preparation Equipment

[球磨机](#) [Ball Mill](#)

[高效节能烘干机](#) [High Efficiency and Energy Saving Dryer](#)

给料输送设备

Feeding and Conveyor Machine

[GZD 系列振动给料机](#) [GZD Series Vibrating Feeder](#)

[胶带输送机](#) [Belt Conveyor](#)

制砂生产线

Sand Making Plant

碎石生产线

Stone Crushing Plant

移动破碎站

Mobile Crushing Station

专业精神打造臻品 · 山启机械引领全球

PRODUCE PERFECT PRODUCTS ·

SHUNKY MACHINERY TAKES THE LEAD IN THE WORLD

